

Kolga

Quality Radiation Shielding Products

Kolga Model A380 Top Opening 15 cm High Performance Low Back- ground Lead Shield for HPGE Detectors

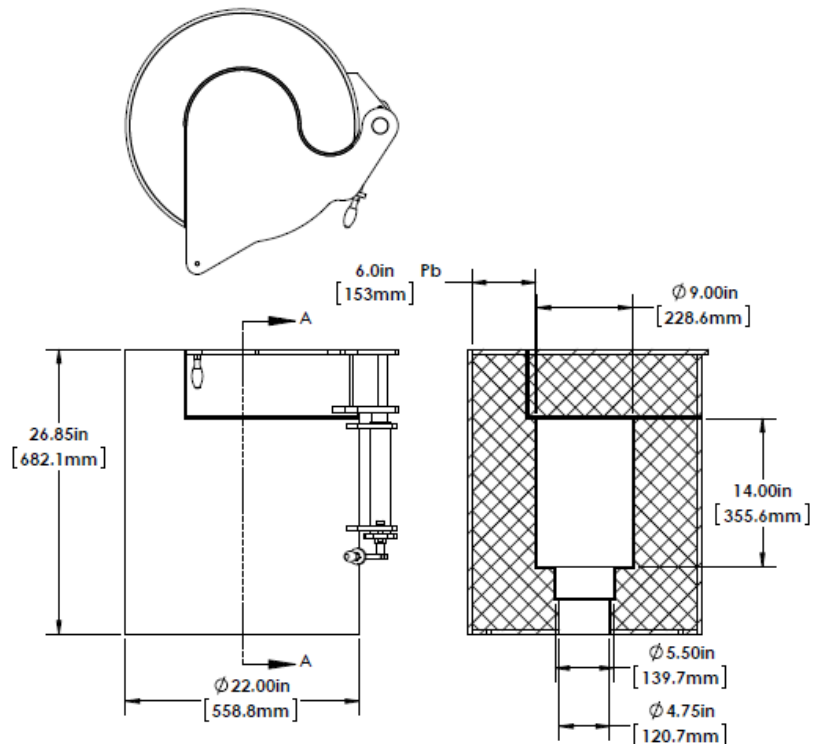
Description

The Kolga Model A380 is a 15 cm (6 inch) high performance copper/tin-lined lead shield for germanium detectors (HPGE). The A380 shield is made from certified DOE Run virgin low background lead. The graded liner is designed to suppress lead x-rays and consists of a 1 mm (0.040 in.) tin layer covered by a 1.5 mm (0.06 in.) oxygen-free copper layer. The top opening A380 shield provide the best possible sample loading. The shield includes a rigid stand with adjustable feet to maintain the unit level while allowing easy access to install or remove the detector. The A380 exterior and stand are coated with durable epoxy paint. All copper components are coated with a clear polyurethane sealer to prevent corrosion.



Specifications

- Overall: Height 682.1 mm (26.9 in.)
Diameter 558.8 mm (22.0 in.)
- Cavity: Diameter 228.6 mm (9 in.)
Depth 355.6 mm (14 in.)
- Outer Jacket:
9.5 mm (3/8 in.) thick low carbon steel
- Shield: 152 mm (6 in.) thick certified low background lead
- Graded Lining: 1 mm (0.04 in.) tin and 1.5 mm (0.06 in.) oxygen free copper
- Weight: 1625 Kg (3575 lbs.)
- Finish: Light Gray Epoxy Paint
- All Lead fully encapsulated in metal.



Kolga, LLC

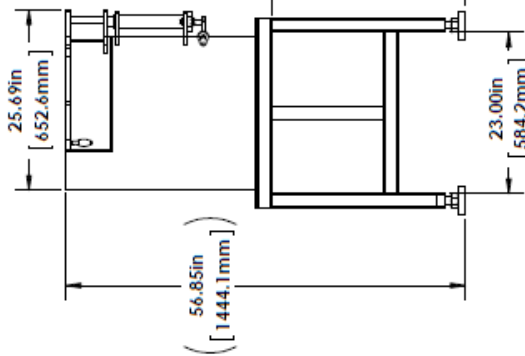
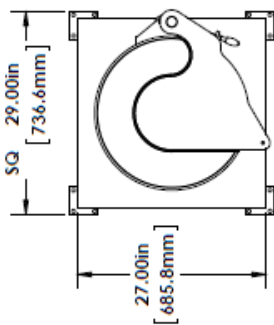
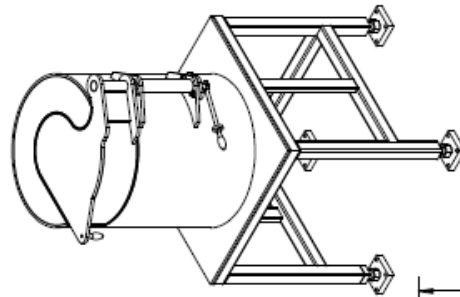
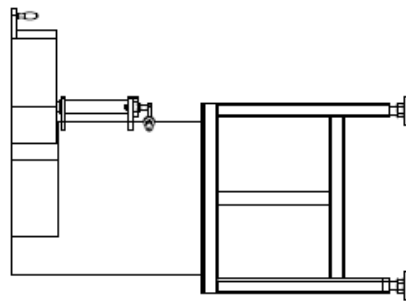
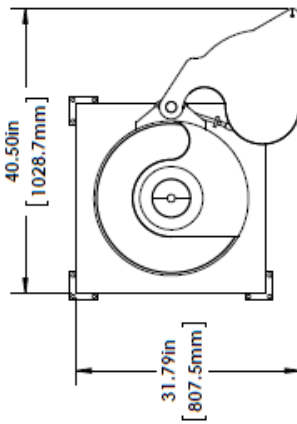
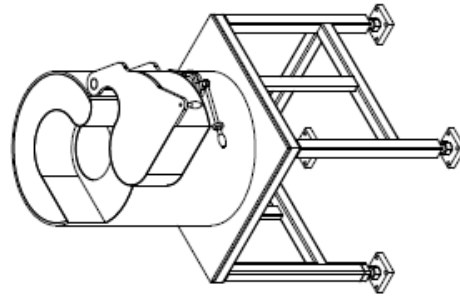
Quality Lead Shield Products
65 Lancaster Drive
Beacon Falls, CT 06403

Tel: 203-729-6800 ext.12
sales@kolgashield.com
www.kolgashield.com
9/19/13 v05



Quality Radiation Shielding Products

Kolga Model A380 Top Opening High Performance Low Background Lead Shield



MODEL A380 CLOSED W/ GPT-27 TABLE